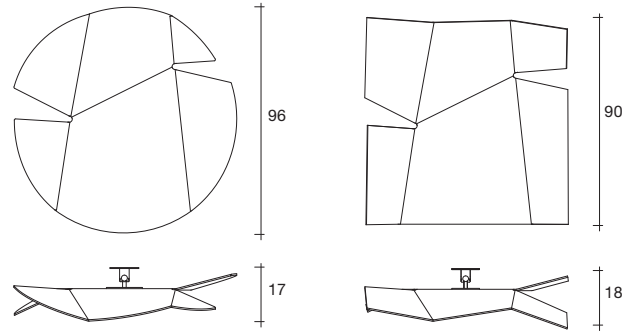




hasami

modello registrato
registered model

DESIGN
PAOLO RIZZATTO



Specchio da parete in vetro curvato
argentato da 6 mm orientabile tramite
snodo posteriore in acciaio inox.

*Hanging mirror in 6 mm-thick curved
silver-backed glass. The articulated rear
joint in stainless steel allows the mirror
to be angled as preferred.*

dimensioni L/Ø, P, H
dimensions L/Ø, W, H
(cm)

COD./CODE

L/Ø

P/W

H

peso netto
net weight
(kg)

peso lordo
gross weight
(kg)

volume imballo
package volume
(m³)

Specchio.
Hanging mirror.

750

96 Ø

17

12

45

0,40

751

90

18

90

14

46

0,36