



Arik Levy designed *Tea Time*, a modular sofa system where dynamism and rationality are the distinctive elements. *Tea Time* does not impose defined, pre-constructed volumes. It "reads" the room dynamically, expressing itself fully through the realm of modular possibilities. Different sized seats arranged together produce free compositions or completed sofas.

### Finishes

**cover**  
fabric, leather

**feet finishes**  
shiny chrome  
black chrome

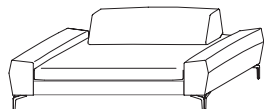
### Technical information

|                        |  |
|------------------------|--|
| Structure interior     | Frame made of solid fir ( <i>Picea abies</i> ) and chipboard, with elastic straps.       |
| Structure padding      | High capacity variable density foam polyurethane. Light velvet cover.                    |
| Seat cushions          | Insert in shaped polyurethane and sterilised feathers. 100% cotton cover.                |
| Additional cushions    | 100% polyester fibre.<br>100% cotton cover.  |
| Feet                   | Chrome plated pressure diecast aluminium with floor slides in non-slip plastic material. |
| Removable outer covers | (See attached card, specific for each cover).  |

### Elements

**sofa**

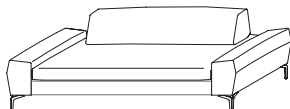
W 2000 D 960 H 740  
W 78 3/4" D 37 3/4" H 29 1/8"  
back W 1200 - 47 1/4"



D200

**sofa**

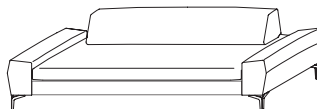
W 2300 D 960 H 740  
W 90 1/2" D 37 3/4" H 29 1/8"  
back W 1500 - 59"



D230

**sofa**

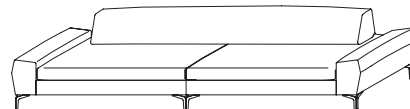
W 2600 D 960 H 740  
W 102 3/4" D 37 3/4" H 29 1/8"  
back W 1800 - 70 7/8"



D260

**sofa**

W 3500 D 960 H 740  
W 137 3/4" D 37 3/4" H 29 1/8"  
back W 2700 - 106 1/4"



D1

**island element**

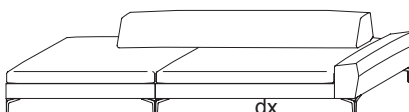
W 3250 D 960 H 740  
W 128" D 37 3/4" H 29 1/8"  
single back W 2100 - 82 3/4"



IS2 dx-sx

**island element**

W 3550 D 960 H 740  
W 139 3/4" D 37 3/4" H 29 1/8"  
single back W 2400 - 94 1/2"



IS3 dx-sx

**pouf**

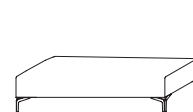
W 1200 D 1200 H 380  
W 47 1/4" D 47 1/4" H 15"



PF120

**pouf**

W 1500 D 600 H 380  
W 59" D 23 5/8" H 15"



PF150



CT50

**additional cushion**  
W 500 H 500  
W 19 3/4" H 19 3/4"



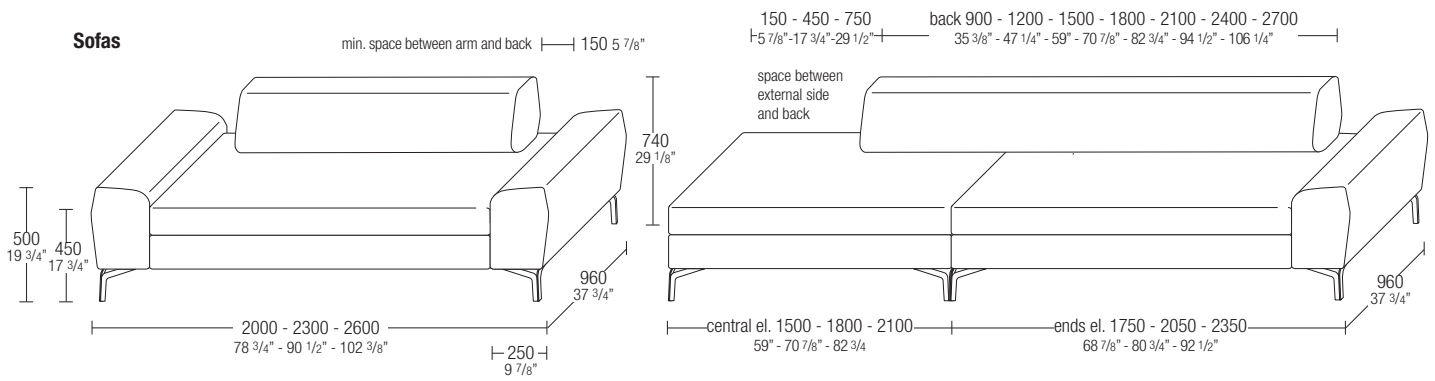
CT40

**additional cushion**  
W 500 H 400  
W 19 3/4" H 15 3/4"

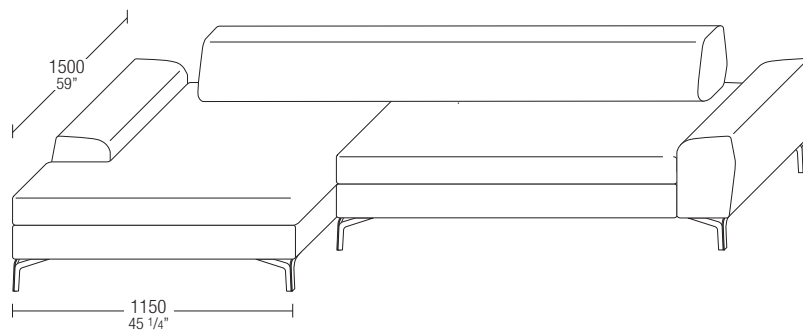
# Molteni & C

## ■ Dimensions

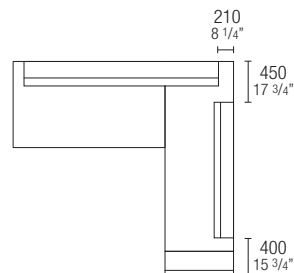
### Sofas



### Chaise longue



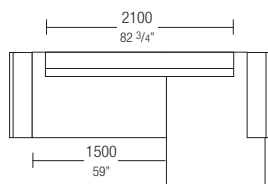
### Ends



## ■ Compositions

### composition

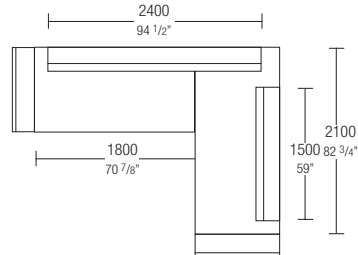
W 2900 D 1500 W 114 1/8" D 59"



**LB7 dx-sx**

### composition

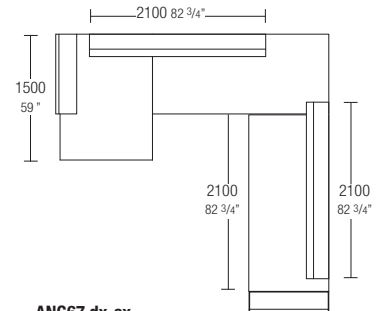
W 3010 D 2350 W 118 1/2" D 92 1/2"



**TBB45 dx-sx**

### composition

W 3250 D 1500/3310 W 128" D 59"/ 130 3/8"



**ANG67 dx-sx**